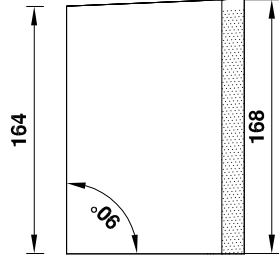
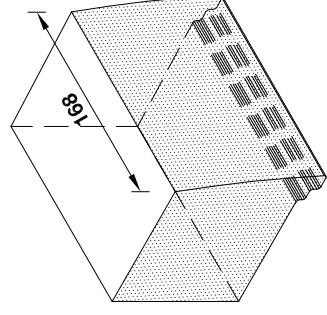
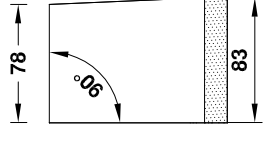
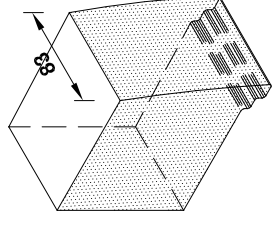


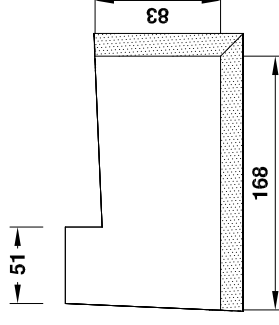
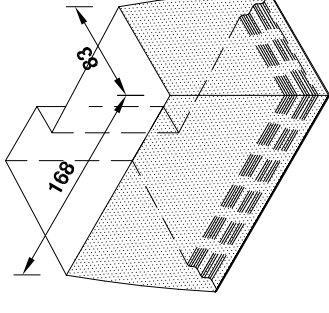
**TB.2 Fair End Tile Brick-LH**  
Shown, RH Also Available



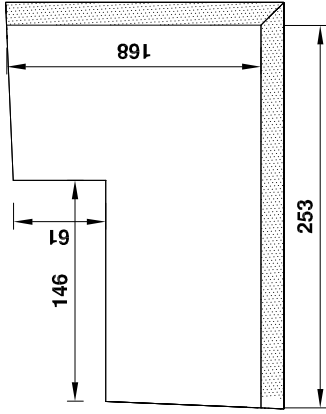
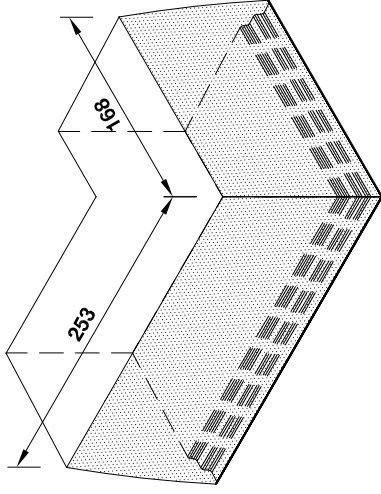
**TB.3 Fair End Tile Brick - LH**  
Shown, RH Also Available



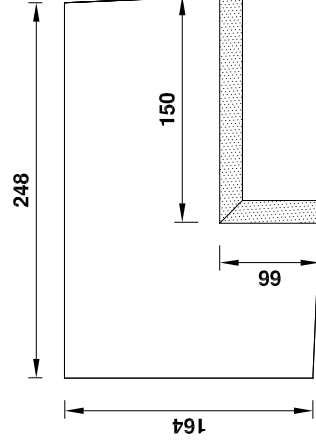
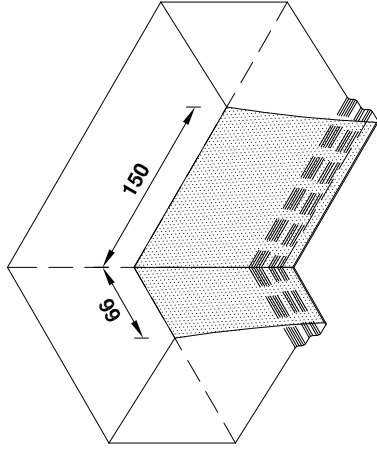
**TB.4 Fair End 1/2 Tilebrick - LH**  
Shown, RH also available



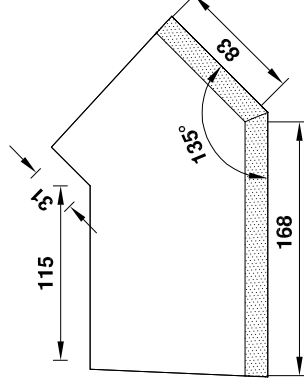
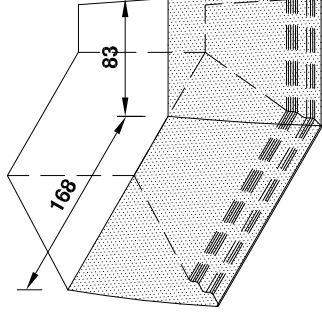
**TB.5 90° External Return 1x1/2 Tilebrick - RH**  
Shown, LH Also Available



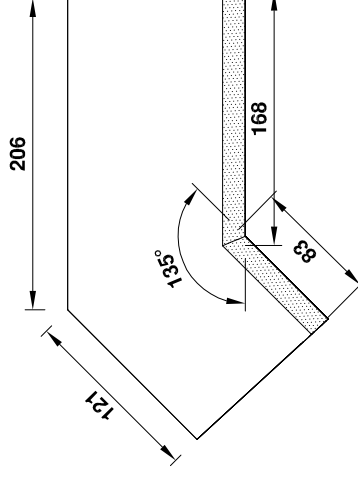
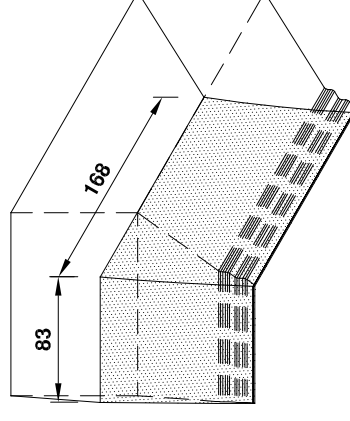
**TB.6 90° External Return Tilebrick - RH**  
Shown, LH also Available



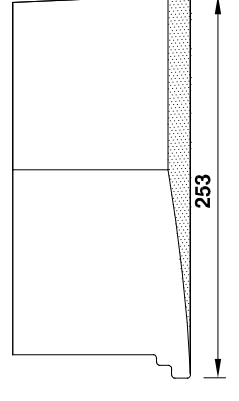
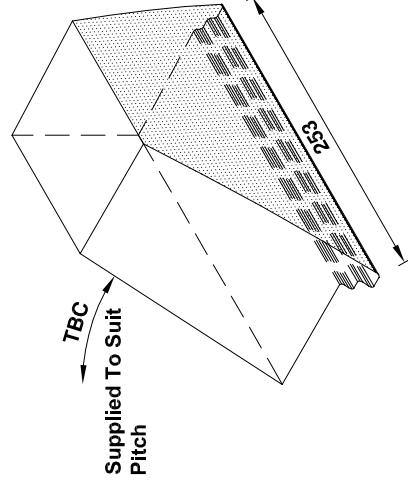
**TB.7 90° Internal Return Tilebrick - LH**  
Shown, RH also Available



**TB.8 45° External Angle Tilebrick - RH**  
Shown, LH also Available



**TB.9 45° Internal Angle Tilebrick - LH**  
Shown, RH also Available



**TB.10 Gable Cut Tilebrick - LH**  
Shown, RH also Available

**REVISION NOTES**

- A** 26/06/14 VARIOUS DIMENSIONS ALTERED MJ
- B** 16/10/14 PERFORATIONS REMOVED MJ

**Notes:**  
All Specials Available in Left Hand & Right Hand variations.  
All Specials Available in All Tilebrick Profiles

TITLE: TILEBRICK SPECIAL SHAPES	
PROJECT: THE IBSTOCK TILEBRICK	
DRAWN: Mark Johnson	CHECKED:
DATE: 17/04/2014	DWG NO: CAD14/02-03
SCALE: at A3	REV: B